

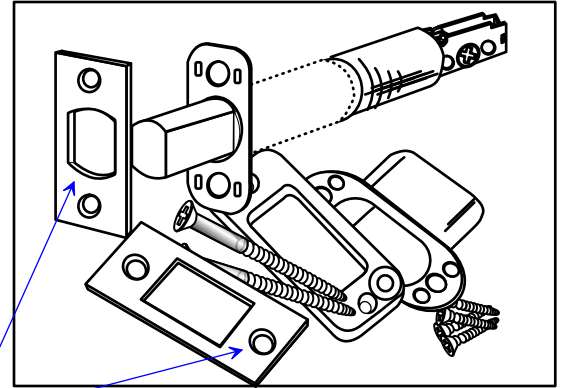
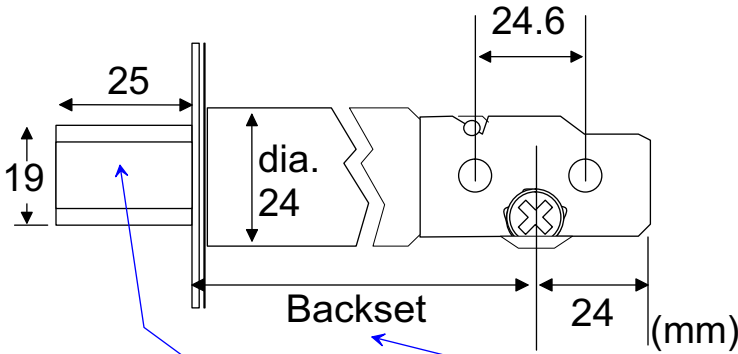
Baton Security Products, Inc

11521 Salinaz Avenue,
Garden Grove, California 92843, USA
Tel:(714) 590 6969 Fax:(714) 590 6960
Email address : Sales@batonlockusa.com

baton[®]
Security Products
www.batonlockusa.com

Form QF-D400-DX1	<input type="checkbox"/> Quotation Ref#		Custom Deadbolt Latch Extended Backset
	<input type="checkbox"/> Order PO#		

Note this form is for backset longer than 2-3/8" (60mm). Narrower backset use Form QF-D400-DX2.



	Latch function	Finish Latch Bolt	Backset	Finish Face plate/Strike	Quantity	Price / net per each	Amount
1	D400-DX00 _ Custom Deadbolt Latch	<input type="checkbox"/> B Brass <input type="checkbox"/> C Satinh Chrome					
2	D400-DX00 _ Custom Deadbolt Latch	<input type="checkbox"/> B Brass <input type="checkbox"/> C Satinh Chrome					
3	D400-DX00 _ Custom Deadbolt Latch	<input type="checkbox"/> B Brass <input type="checkbox"/> C Satinh Chrome					
4	D400-DX00 _ Custom Deadbolt Latch	<input type="checkbox"/> B Brass <input type="checkbox"/> C Satinh Chrome					
5							
6							

Contact info: _____
 Company _____
 Add: _____
 City _____ St _____ zip _____
 Tel: _____ - _____ Fax: _____ - _____
 Email: _____

Custom made products are constructed with the specifications requested. Baton warrants that the product will be functioning according to all the specifications and operating parameters of our original product line. No guarantee exists on product functions within specifications of others' make. **** **Deposit required for custom made items, no-return and no-refund ******.

Lead time : _____ working days